

Luna IPx4

Ceiling hoist / lift with multiple solutions



Why choose the Luna IPx4?

A great product has been made even better still. The innovative Luna ceiling hoist / lift with its unique Scandinavian design and excellent functionality has been upgraded to include many new and advanced features. Now available with a weight capacity of 200kg and 275kg.

New features: The Luna is now IPx4 tested for wet environments allowing safe transfers in bathrooms free of the risk of lift failure if the unit is inadvertently showered with water. The hand controls are both IPx4 & IPx7 tested, tolerating exposure to showering and full immersion in water, respectively. In addition to the standard powered emergency lowering function on the hand control, there is now a second emergency manual lowering function on the Luna itself, easily operated in the unlikely event of a complete lift failure. Finally, there is the new screw lock connector, a secure and reliable mechanism to hook up the hand control to the Luna lift.

Key Features

- IPx4 tested for wet environments
- Weight capacity of 200kg and 275kg
- One lift: fixed or portable options in the same modular design
- Emergency lowering functions on hand control & Luna motor
- Charging through the ergonomic hand control on wall mounted docking station
- Patented Ergolet sling hooks

Unique and Innovative

A truly unique Luna feature, which differentiates it from the competition, is its ability to be used as either a fixed or portable ceiling hoist in one and the same unit. Simply reverse the Luna unit, select the appropriate spreader bar, and fixed Luna becomes portable Luna and visa versa. This is a cost effective incentive meaning an investment in one modular model will cover all of your lifting requirements. Another distinctive Luna feature is the unique quick release mechanism: a simple twist and turn movement detaches the lift from the track in just a matter of seconds, without tools.

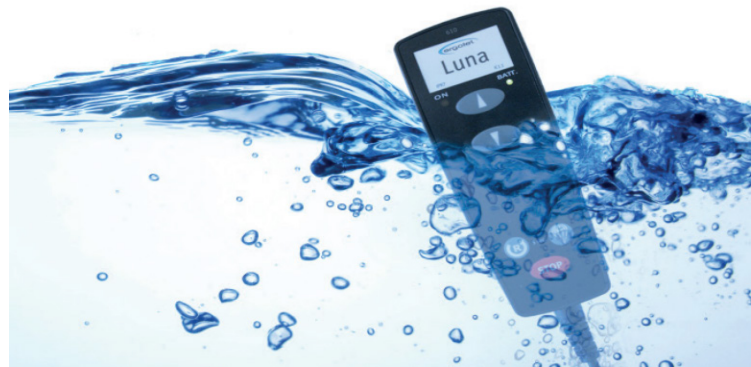
Luna IPx4 Ceiling hoist / lift with multiple solutions

Technical Specifications

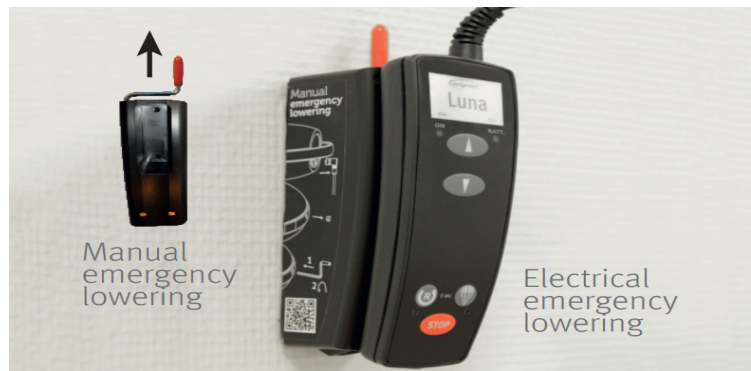
- **Max. capacity** 200 kg/275 kg
- **Length of lifting strap** 2200 mm
- **Weight** 6.7 kg w/o spreader bar
- **Measurements** 320 x 130 mm
- **Battery operation** 36 V, lead acid batteries
- **Charging** 100- 240 V, 0.5 A
- **Chassis** Aluminium
- **Housing** High impact, moulded ABS
- **Noise** Lwa during lifting/lowering without load is 48dB(A) Lwa during lifting/lowering at maximum load is 52dB(A).
- **Time of charging** appr. 4.5 - 5 hours to fully charge empty battery
- **Lifting speed down** 44 mm/sec with 89 kg load
- **Lifting speed up** 30 mm/sec with 89 kg load
- **No. of lifts per charge** 50 lifts of 0.5m with 100 kg
- **Protection class** IPx4



New improved screw lock connector on hand control & motor.



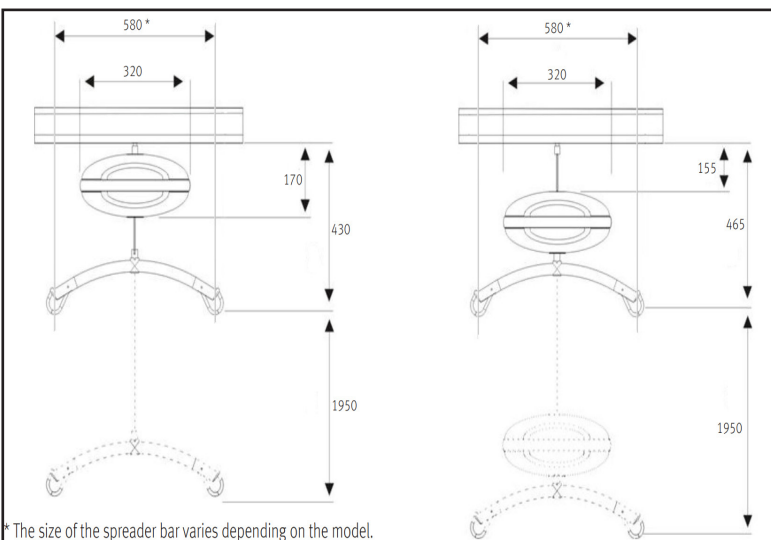
IPx7 hand control tolerates immersion in water



Manual emergency lowering functions: powered on hand control and manual on Luna motor



Options for top or bottom cable on IPx4 hand control. It is also possible to select the length of the cable



The size of the spreader bar varies depending on the model.

Consult the Technical manual for further specifications.

All figures and measurements are for guidance only and may differ in actual situations.

Luna IPx4

Ceiling hoist / lift with multiple solutions

Spreader Bars

A complete range of spreader bars in various sizes and models to suit all care needs and transfer situations. All Ergolet's spreader bars are equipped with their patented sling hook system. The two point spreader bar is best suited for a standard transfer where the client is of a normal stature. It is available in 3 widths.

The two point spreader bar is best suited for a standard transfer where the client is of a normal stature. It is available in 3 widths

Where the clients are larger in stature, use the unique V shaped 3-point spreader bar. This increases the distance between the shoulder strap section and the leg strap section, opening up the sling for a more comfortable lift. Clients of a normal stature can also benefit from the supportive advantages of the 3 point spreader bar.

When transferring bariatric clients, using the 4-point spreader bar. This, combined with the correct sling model and size, will provide the patient with the proper support required, meaning a more comfortable lift.

This extensive range of 5 different spreader bars allows the carer to carry out specific and general lifts. All spreader bars include Ergolet's patented sling hooks. The bars are all interchangeable and can be used on both mobile lifters and ceiling hoists.



Straight spreader bar



2-point spreader bar



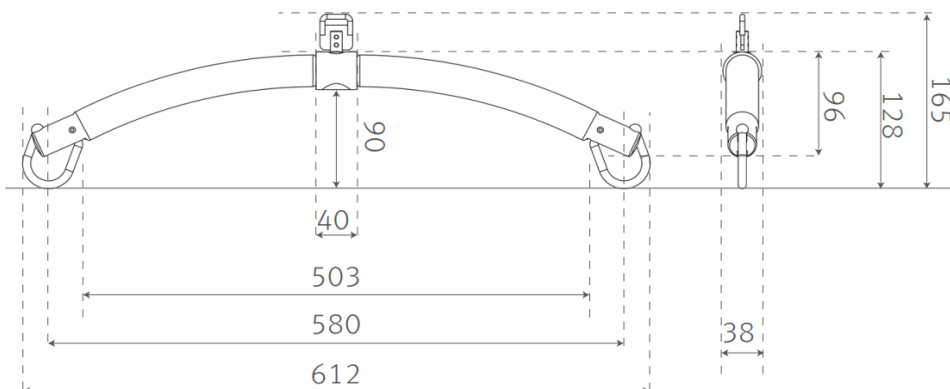
Spreader bar for bayonet



3-point spreader bar

4-point spreader bar

Standard 2-point Spreader



Drawing refers to a Standard 2-point spreader bar 580 mm



A spreader bar for bayonet on the Luna with a Spring loaded locking mechanism is included

Luna IPX4

Ceiling hoist / lift with multiple solutions

Order Code	Description	UOM	Min Vol Qty	Single	Volume
5140100	Luna 200kg / for strap mount - White	EACH	4	1,328.00	1,190.00
5140130	Luna 275kg Lifting cassette / IPX4 / for bayonet mount / White	EACH	4	1,497.00	1,340.00
5140105	Luna/200 Kg/Horizontal/Bayonet/White/IPX4	EACH	4	1,330.00	1,191.00
5140120	Cart for BHM track / Luna bayonet	EACH	4	55.00	50.00
5140121	Lifting Strap with hook/Luna	EACH	4	51.00	46.00
5140123	Cart for Arjo 90/140/180mm track&Easy Track / Luna bayonet	EACH	4	78.00	70.00
5140124	Cart for Human Care track / Luna bayonet	EACH	4	90.00	81.00
5140126	Luna Cassette 275kg /IPX4/for strap mount/White	EACH	4	1,387.00	1,242.00
5140131	Bayonet with microswitch and cable for Luna Cassette	EACH	4	37.00	34.00
5140107	Spreader bar for strap / 58cm / 275kg	EACH	4	239.00	214.00
5140108	Spreader bar for strap / 36cm / 275kg	EACH	4	243.00	217.00
5140109	4-point spreader bar for strap with tilt / 275kg	EACH	4	616.00	551.00
5140110	3-point spreader bar for strap /4 hooks / 275kg	EACH	4	562.00	503.00